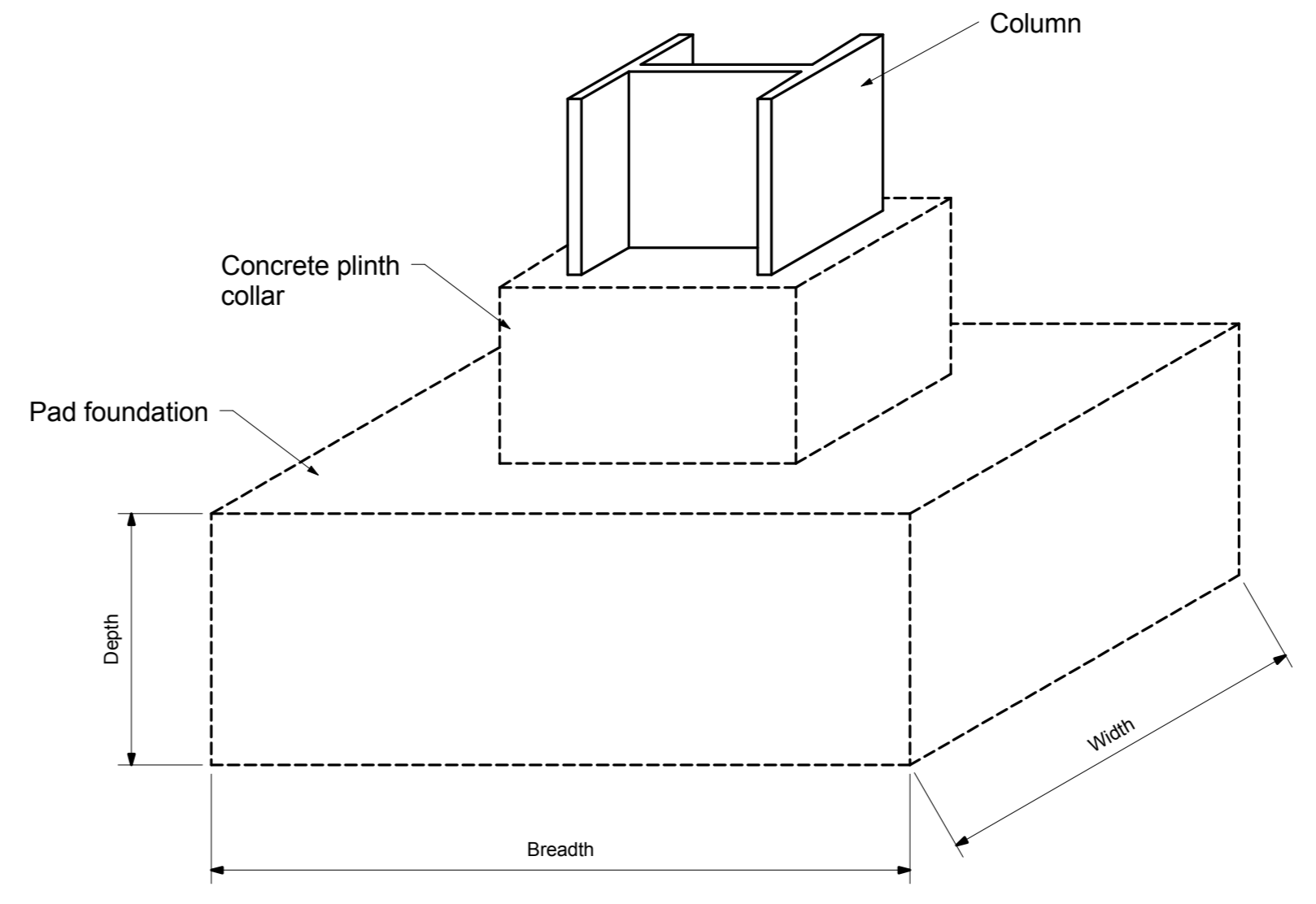


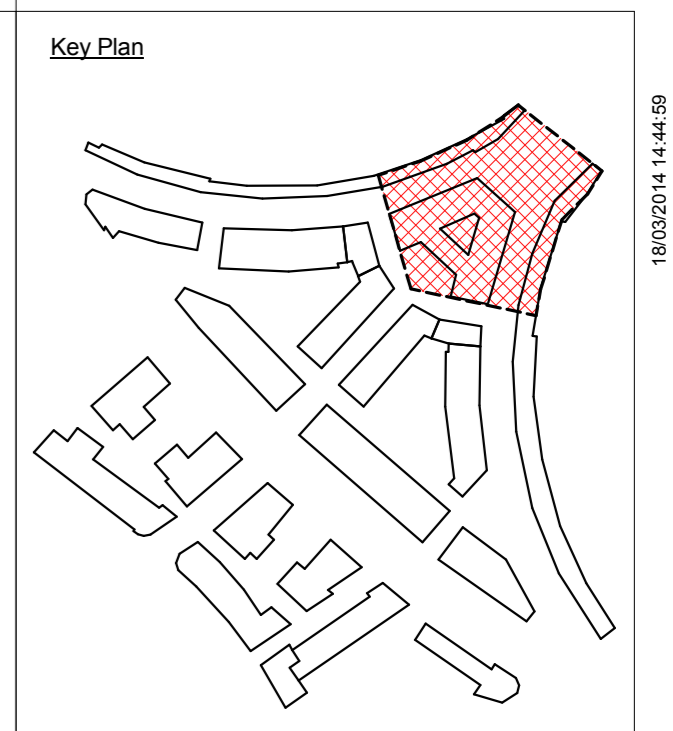
1 Warwick Apron Stanchion Locations  
1 : 200



2 Stanchion - Dimension Key  
1 : 20

Warwick Apron Stanchion Ref.	Column Dimensions		Concrete Plinth Collar		Foundation Pad Dimensions		
	Width	Breadth	Width	Breadth	Width	Breadth	Depth
5	0.44	0.36	0.61	0.49	3.05	1.99	0.92
6	0.44	0.36	0.65	0.49	2.44	2.44	0.61
7	0.44	0.36	0.65	0.49	2.44	2.44	0.61
8	0.47	0.36	0.64	0.49	3.66	2.75	0.92
9	0.45	0.36	0.64	0.49	3.36	2.44	0.92
10	0.49	0.36	0.64	0.49	5.19	3.05	1.22
11	0.49	0.36	0.63	0.73	5.19	3.05	1.22
12	0.51	0.36	0.64	0.49	2.75	4.27	0.92
13	0.51	0.36	0.66	0.49	6.10	2.75	1.53
13A	0.49	0.36	0.64	0.49	3.66	2.75	0.92
14	0.49	0.36	0.66	0.49	3.66	3.66	0.92
15	0.59	0.36	0.68	0.53	5.49	3.66	1.22
16	0.29	0.31	3.80	0.60	Unknown	Unknown	Unknown
17	0.27	0.61	3.80	0.60	Unknown	Unknown	Unknown

3 Warwick Apron Stanchion Dimensions  
1 : 2



- Notes:
- This drawing should be read in conjunction with ARUP-ST-LAI-001.
  - This drawing is based on historic information and PCA internal tunnel surface surveys and as such should be treated as indicative.
  - The pad locations and pad sizes are based on historic information only and have been indicatively shown for information.
  - To confirm the size and setting out of the stanchion pads, a sub-surface survey is required.

P1	18/03/14	KB	SRT	TJ
PRELIMINARY ISSUE				
Issue	Date	By	Check	Appd

**ARUP**

15 Finsbury Street  
London EC2A 3DU  
Tel: +44 (0)20 7886 1000 Fax: +44 (0)20 7886 3004  
www.arup.com

Client  
Capital & Counties Properties PLC

Job Title  
Project Earls Court

Warwick Apron Stanchion Locations

Scale as A0 As indicated

Discipline Structural

Job No 125066 Drawing Date For Information Issue P1

Drawing No ARUP-ST-LAI-027

**DRAFT**