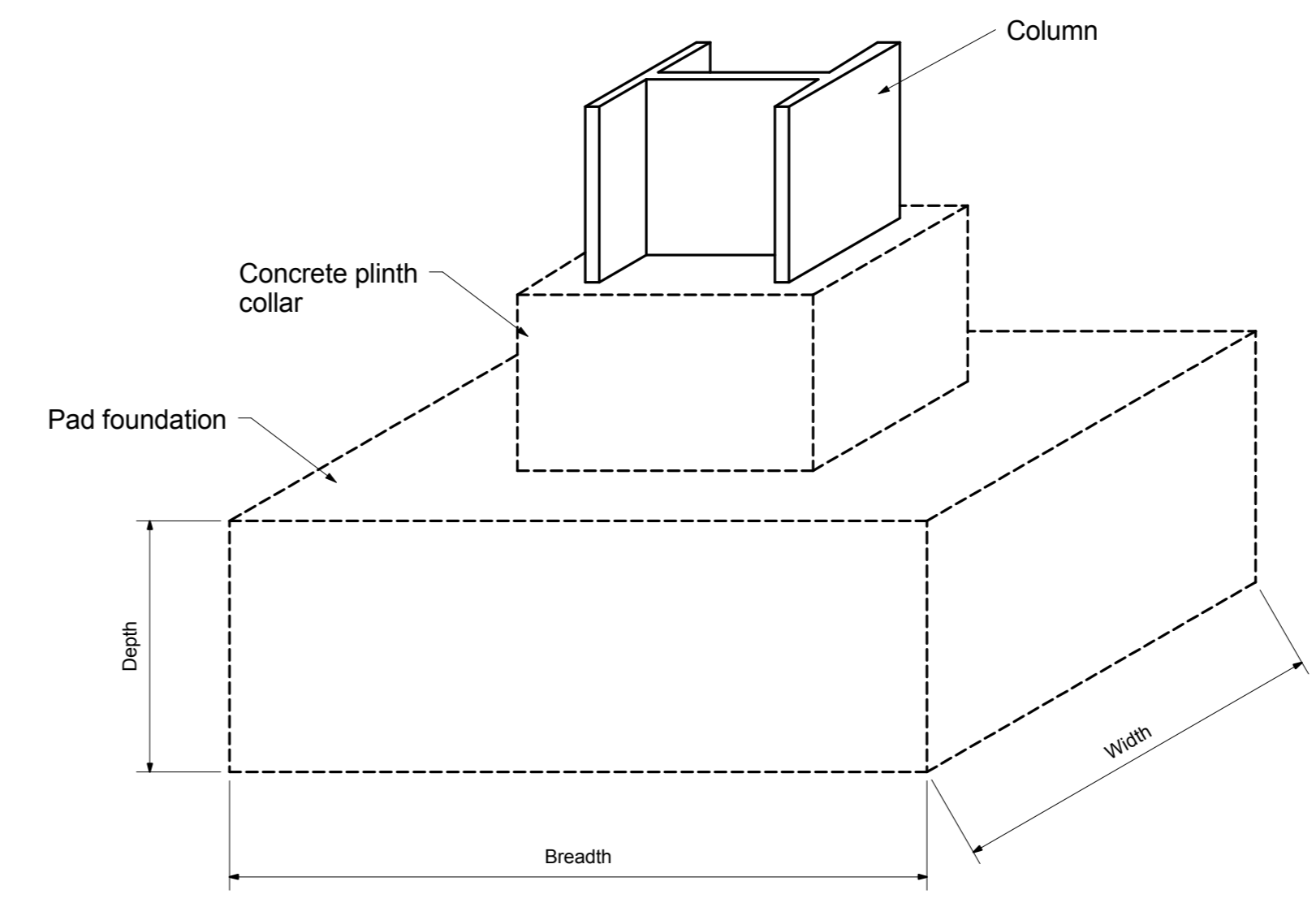


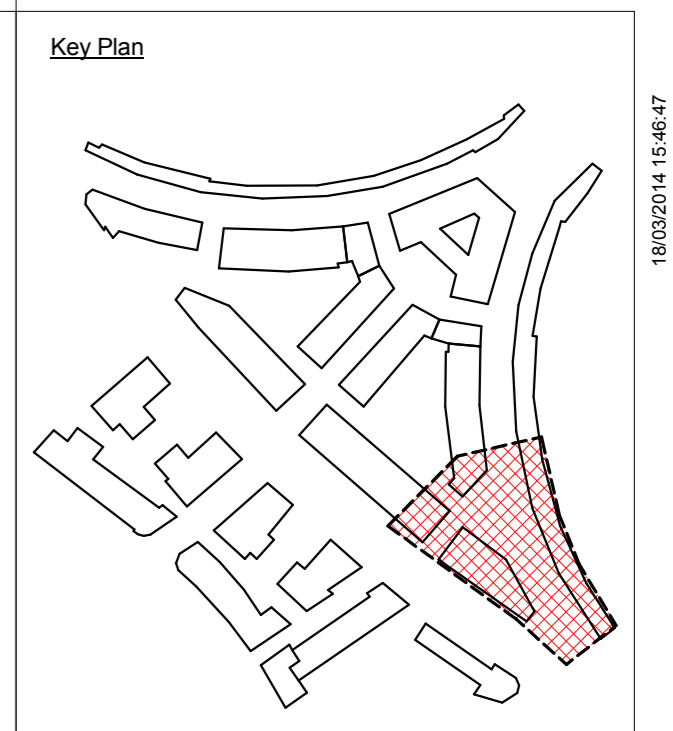
1 Brompton Apron Stanchion Locations
1 : 200



2 Stanchions - Dimension Key
1 : 20

Brompton Apron Stanchion Ref.	Column Dimensions		Concrete Plinth Collar		Foundation Pad Dimensions		
	Width [m]	Breadth [m]	Width [m]	Breadth [m]	Width [m]	Breadth [m]	Depth [m]
3	0.46	0.36	0.67	0.61	2.38	3.36	1.13
4	0.46	0.36	0.67	0.61	2.38	3.36	1.13
5	0.46	0.36	0.67	0.61	2.38	3.36	1.13

3 Brompton Apron Stanchion Dimensions
1 : 2



- Notes:
- This drawing should be read in conjunction with ARUP-ST-LAI-001.
 - This drawing is based on historic information and PCA internal tunnel surface surveys and as such should be treated as indicative.
 - The pad locations and pad sizes are based on historic information only and have been indicatively shown for information.
 - To confirm the size and setting out of the stanchion pads, a sub-surface survey is required.

P1	18/03/14	KB	SRT	TJ
PRELIMINARY ISSUE				
Issue	Date	By	Check	Appd

ARUP

15 Finsbury Street
London EC2A 3DU
Tel: +44 (0)20 7066 1000 Fax: +44 (0)20 7886 3804
www.arup.com

Client
Capital & Counties Properties PLC

Job Title
Project Earls Court

Brompton Apron Stanchion Locations

Scale at A0 As indicated

Discipline **Structural**

Job No **125066** Drawing Status **For Information** Issue **P1**

Drawing No **ARUP-ST-LAI-028**

DRAFT